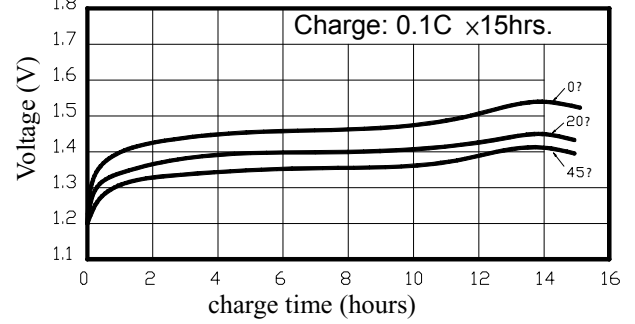


**H-AA2000B**

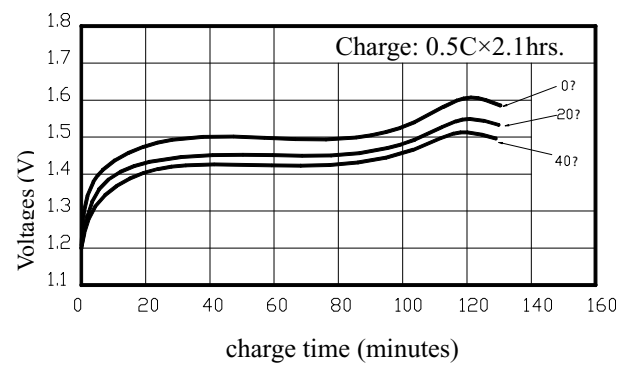
Nominal voltage		1.2V	
Capacity		0.2C Discharge	0.5C Discharge
	Minimum	288min	113min
	Typical	302min	118min
Dimensions		mm	
	Diameter	14.5 <sup>-0.7</sup>	
	Height	50.0 <sup>-1.0</sup>	
Weight(Approximately)		克 gram	
		29.4	
Internal Impedance At 1000 Hz		35m <sup>?</sup> (Max) (After Charge)	
Charge	Standard	220mA(0.1C)×15hrs	
	Rapid	1100mA(0.5C)×2.1hrs	
Ambient temperature	Charge		?
		standard	0? to 40?
	Rapid	0? to 40?	
	Discharge	-20? to 50?	
	Storage	-20? to 30?	

**Typical characteristics**

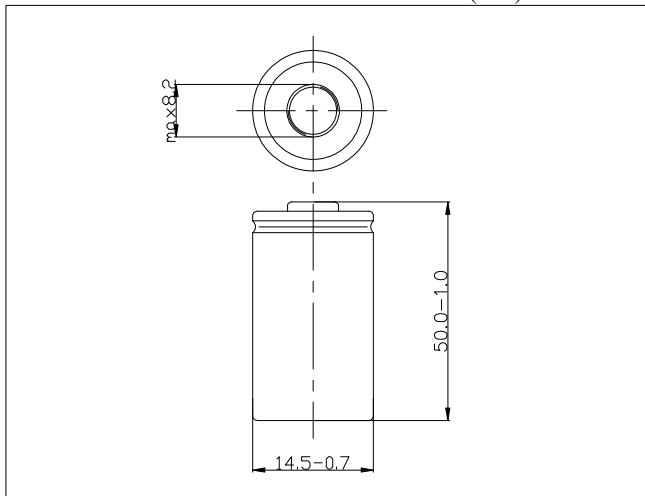
**Standard charge characteristics**



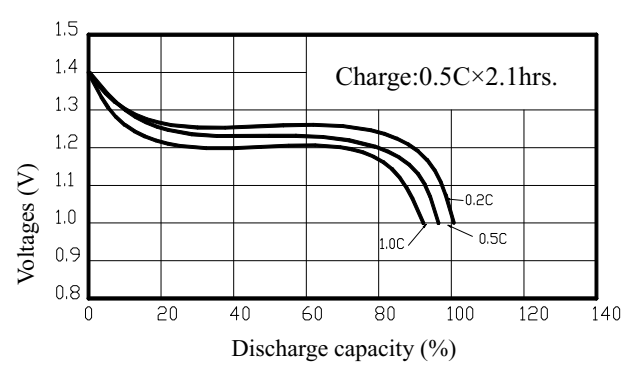
**Rapid charge characteristics**



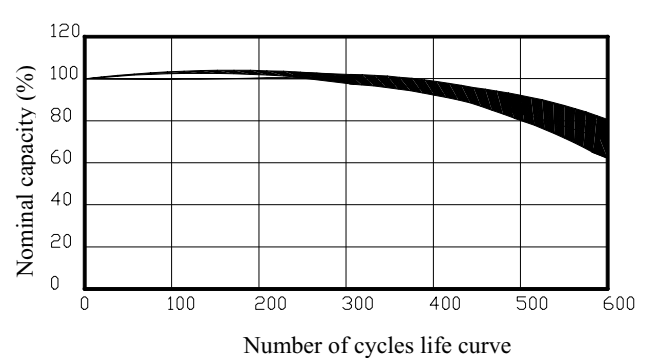
Dimensions with tube (mm)



**Discharge characteristics**



**Cycle life characteristics**



Note:

1. Nominal capacity, rated at 0.2C 20 .
2. Average capacity, for reference only.
3. Weight and internal impedance are For reference.
4. Standard according as IEC of test cycle life.