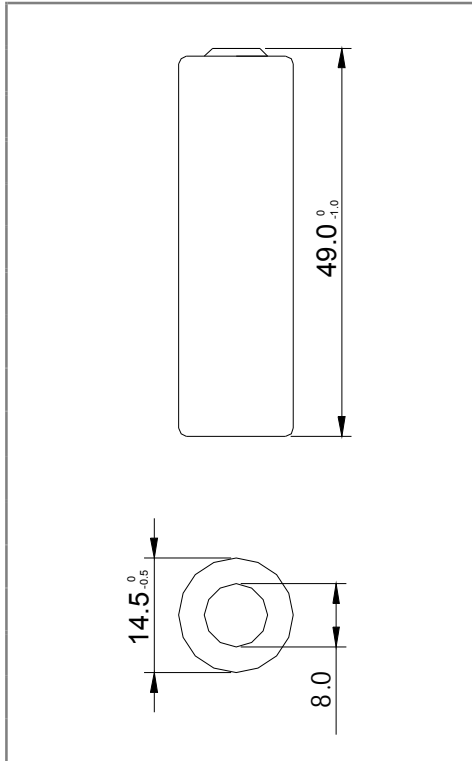
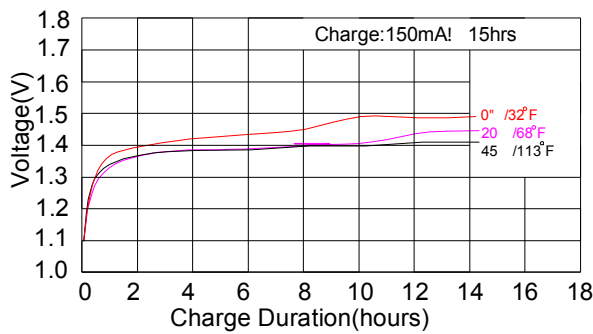


**H-AA1500B** Specifications

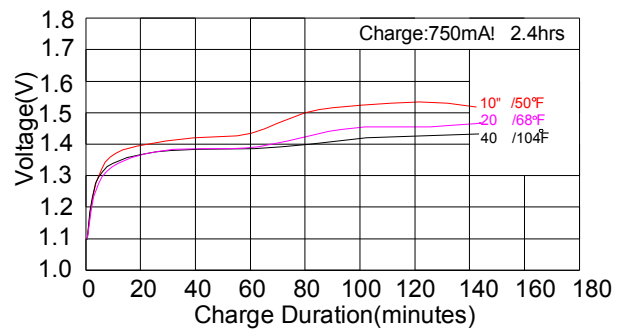


<b>Nominal Capacity</b>	<b>1500mAh</b>
<b>Nominal Voltage</b>	<b>1.2V</b>
<b>Internal Impedance (at 1000Hz)</b>	<b>&lt; 25m?</b>
<b>Charge</b>	
<b>Standard Charge</b>	<b>150mA x 15h</b>
<b>Rapid Charge</b>	<b>750mA x 2.4h</b>
<b>Discharge Cut-off Voltage</b>	<b>1.0V</b>
<b>Max Dimension (with tube)</b>	
<b>Diameter</b>	<b>14.5mm</b>
<b>Height</b>	<b>49.0mm</b>
<b>Weight</b>	<b>26 ±1g</b>
<b>Operating Temperature</b>	
<b>Charge</b>	<b>0 ~ 45</b>
<b>Discharge</b>	<b>-20 ~ 60</b>
<b>Storage Temperature</b>	
<b>Within 1 month</b>	<b>-5 ~ 35</b>
<b>Within 6 months</b>	<b>0 ~ 35</b>

**Standard charge characteristics**



**Fast charge characteristics**



**Discharge characteristics**

